

SANDKAT



2022 CATALOGUE

TABLE OF CONTENTS

ABOUT US	4
BAIC	5
BJ40 PLUS - 2019 ONWARDS	5
GREAT WALL	6
H3 - 2006 TO 2010/H5-2010 ONWARDS	6
H9 - 2014 ONWARDS	7
WINGLE 3/5	8
GREAT WALL PAO - 2019 ONWARDS	9
TANK 300 - 2020 ONWARDS	10
FORD	11
EVEREST- 2016 TO 2018	11
EVEREST - 2018 ONWARDS	12
COURIER 4WD - 1986 TO 2006	13
RANGER PJ TO PK 4WD -2006 TO 2011	14
RANGER PX 4WD - 2011 TO 2019	15
RANGER PIII (T8) - 2019 ONWARDS	16
ISUZU	17
D-MAX - PRIOR TO 2012	17
D-MAX - 2012 TO 2020	18
D-MAX - 2021 ONWARDS	19
MU-X	20
JEEP	21
WRANGLER JK - 2007 ONWARDS	21
LAND ROVER	22
DISCOVERY 2 - 1999 TO 2004	22
DEFENDER 110 - 2009 ONWARDS	23
MITSUBISHI	24
PAJERO V31 SWB & LEAF REAR - 1988 TO 1996	24
PAJERO V31 SWB & COIL REAR - 1988 TO 2000	25
PAJERO V73/ V93/V97 NM NP NS NT NW - 2000 ONWARDS	26
PAJERO V97 SPORT QE - 2015 ONWARDS	27
TRITON 4WD ME MF MG MH MJ MK - 1986 TO 2006	28
TRITON 4WD ML MN - 2006 TO 2015	29
TRITON 4WD MR MQ - 2015 ONWARDS	30
NISSAN	31
PATROL GQ- Y60/GU-Y61 LWB WAGON	31
PATROL GQ-Y60/GU-Y61 LWB 3-4" LIFT	32
PALADIN, NAVARA D21 - 1986 TO 1997/ D22 - 1997 TO 2006	33
NAVARA D40 - 2006 TO 2015	34
NAVARA NP300 LEAF SPRING MODEL - 2015 ONWARDS	35
NAVARA NP300 COIL SPRING REAR - 2015 ONWARDS	36
PATHFINDER R51 - 2005 ONWARDS	37
TERRA- 2018 ONWARDS	38
SUZUKI	39
GRAND VITARA 4CYL SWB AND LWB - 1998 TO 2001	39
GRAND VITARA V6CYL LWB - 1998 TO 2001	40
GRAND VITARA JB627 LWB - 2005 TO 2008	41
SIERRA SJ/LJ WAGON AND TRAYBACK - PRIOR TO 1998	42
JIMNY - 1998 TO 2018	43
JIMNY - 2019 ONWARDS	44

TOYOTA	45
LANDCRUISER FJ/BJ 40 - 1969 TO 1980	45
LANDCRUISER FJ/BJ 40 - 1980 TO 1986	46
LANDCRUISER FJ/HJ 45 - 1969 TO 1980	47
LANDCRUISER FJ/HJ 45 47 - 1980 TO 1986	48
LANDCRUISER VDJ 76 WAGON 2007 ONWARDS	49
LANDCRUISER HZJ/VDJ 78/79 SERIES	50
LANDCRUISER FJ/HJ 80, 100, 105 SERIES	51
LANDCRUISER FJ/HJ 80, 100, 105 SERIES 3-4" LIFT	52
LANDCRUISER 100 SERIES I.F.S.	53
LANDCRUISER 200 SERIES	54
HILUX IFS/LEAF SINGLE DUAL AND EXTRA CAB 1988 - 2005	55
HILUX KUN 3.0L VIGO	56
HILUX GUN 3.0L REVO 2015 ONWARDS	57
LANDCRUISER II (STATION WAGON)	58
LANDCRUISER PRADO 95 VZJ/KZJ	59
LANDCRUISER PRADO 120 SERIES	60
LANDCRUISER PRADO 150 SERIES	61
FJ CRUISER -2011 ONWARDS	62
FORTUNER 2015 ONWARDS MODEL	63
VOLKSWAGEN	64
AMAROK	64
Coil Spring Specifications	65
Shock Absorber Chart	67
Steering Damper Chart	69
Shackle Bush Kits	70
U-Bolt Dimensions	71
Leaf Spring Specifications	74
Suspension Installation Form	75
Warranty Assessment Form	76
Sandkat4wd Worldwide Offices	77

(v.2022.v.2)

ABOUT US

THRILL AND GENUINE PASSION FOR 4X4

We bring nearly a century of experience in 4x4 suspension design, manufacturing and product development. Our history dates back to 1924 when our original founders opened their first spring production facility in Australia.

Today our suspension products are used regularly in Asia, Oceania and Europe. We have warehouses located on three continents, production facilities in Asia and Australia and our R&D center is located in Western Australia, the world leader in 4x4 experiences and product development.



GLOBAL SALES MISSION

With such a long history in this industry, we genuinely understand the expectations and needs of the end customer. Our team are all 4x4 enthusiasts themselves and have a long history of working in and enjoying this industry. The result shows in the high quality of our products.

Unlike other brands, our vision is more about the end customer. We aim to offer the best prices in the market to ensure that the joy of 4x4 is available to everyone, and not just an elite few with substantial resources. We manufacture most of our products so this helps us to pass on more savings to our end customers. What's more, manufacturing ourselves ensures that the products will be produced with the same passion you yourself have for their use.

We are looking to build a global network of distributors of our products. We believe in honest, long-term relationships with our distributors. In return, we will support your team through regular technical exchanges and product improvements. If you have a passion for 4x4 and the associated lifestyle, why not send us an email to discuss how you can become an exclusive distributor for your market?

FRONT SUSPENSION

Coil Spring	CGO00001	1 pair	Up to 50kg extra load constant spring, 2" lift
Shock Absorber	SRA03K027	2 units	Kalahari series
Strut Cap	SP00010	2 units	Replacement Strut Top Cap

REAR SUSPENSION

Coil Spring	CGO00002	1 pair	Up to 100kg extra load constant spring, 2" lift
Shock Absorber	SRA02K083	2 units	Kalahari Series

GREAT WALL GREAT WALL

H3 - 2006 TO 2010 /H5 - 2010 ONWARDS

FRONT SUSPENSION

Torsion Bar	TR00012	1 pair	30mm Bar diameter x 1142mm
Shock Absorber	SR004K011	2 units	Big Bore Gas charged Shock

REAR SUSPENSION

Coil Spring	CGK00010 CGK05010	1 pair 1 pair	100kg extra load constant spring, Standard lift 100kg extra load constant spring, 2" lift
Shock Absorber	SR004K043H	2 units	Big Bore Gas Charged Shock

FRONT SUSPENSION

Coil Spring	CGM00205	1 pair	Up to 55 kg extra load constant spring, 2" lift
Shock Absorber	SR003K007	2 units	Gas charged strut
Replacement Bushes	SOK0016 1	2units	Steel-Rubber Bushes
Strut Cap	SP00001	2 units	Replacement Strut Top Cap
Strut Spacer	SS00002	2 units	6mm thick for trimming or raising vehicle

REAR SUSPENSION

Coil Spring	CGM00206 CGM05206	1 pair 1 pair	Up to 100 kg extra load constant spring, 2" lift Up to 250 kg extra load constant spring, 2" lift
Shock Absorber	SR002K068	2 units	Gas Charged Shock

REMARKS:

1. Applicable to batch 20201001(included) or after

GREAT WALL

WINGLE 3 / 5

FRONT SUSPENSION

Torsion Bar	TR00012	1 pair	30mm Bar diameter x 1142mm
Shock Absorber	SR002K060	2 units	Gas charged Shock

REAR SUSPENSION

Leaf Spring	LGE00002 LGE01002 LGD02001	2 units 2 units 2 units	6 (4+2) constant leaf spring extra load 300 kgs 7 (5+2) constant leaf spring extra load 500 kgs 2 leaf parabolic leaf spring for comfort ride
Shock Absorber	SR004K012	2 units	Big Bore Gas Charged Shock
Bush Kit	BTC016	1 kit	Urethane Bush Kit
Fixed Pin	FN00007	2 units	14 mm pin
Shackle	SE01006 SE04006	2 units 2 units	Greasable Shackle Greasable Shackle Extended
U Bolt	UT00014	4 units	Round top U-Bolt

GREAT WALL

GREAT WALL PAO - 2019 ONWARDS

FRONT SUSPENSION

Coil Spring	CGP00001	1 pair	Up to 55 kg extra load constant spring (Kalahari Series ONLY)
Shock Absorber	SRA03K028	2 units	Kalahari Series
Strut Cap	SP00011	2 units	Replacement Strut Top Cap
Strut Spacer	SS00002	2 units	6mm thick for trimming or raising vehicle

REAR SUSPENSION

Leaf Spring	LG100002	2 units	7 (5+2) constant leaf spring extra load 300 kgs
Shock Absorber	SRA02K020	2 units	Kalahari Series
Bush Kit	BTC047	1 kit	Urethane Bush Kit
Fixed Pin	FN00007	2 units	14mm pin
Shackle	SE01009	2 units	Greasable Shackle
U-bolt	UT00014	4 units	Round top U-bolt

GREAT WALL

TANK 300 - 2020 ONWARDS

FRONT SUSPENSION

Coil Spring	CGP00001	1 pair	Up to 50 kg extra load constant spring, 2" Lift
Shock Absorber	SRA03K028	2 units	Kalahari Series
Strut Cap	SP00011	2 units	Replacement Strut Top Cap

REAR SUSPENSION

Coil Spring	CGP00002	1 pair	Up to 100 kg extra load constant spring, 2" Lift
Shock Absorber	SRA02K084	2 units	Kalahari Series
Panhard Rod	PD00012	1 unit	Adjustable Panhard Rod

FRONT SUSPENSION

Coil Spring	CGI00001 CGI05001	1 pair 1 pair	Up to 70kg extra load constant spring, 2" lift 70-120kg extra load constant spring, 2" lift
Shock Absorber	SR003K021	2 units	Gas charged Strut
Replacement Bushes	SOK0012 1	2 units	Steel-Rubber Bushes
Replacement Bushes	SOK0033 2	2 units	Steel-Rubber Bushes
Strut Cap	SP00003	2 units	Replacement Strut Top Cap
Strut Spacer	SS00002	2 units	6mm thick for trimming or raising vehicle

REAR SUSPENSION

Coil Spring	CGC00001 CGC05001	1 pair 1 pair	Constant Spring 100 kg extra load, Standard Lift Constant Spring 100 kg extra load, 2" Lift
Shock Absorber	SR002K070	2 units	Gas Charged Shock

REMARKS:

1. Applicable to batch 20200803(included) or before
2. Applicable to batch 20201001(included) or after

FRONT SUSPENSION

Coil Spring	CGC00003 CGC05003	1 pair 1 pair	Up to 70kg extra load constant spring, 2" Lift 70kg - 120 kg extra load constant spring, 2" lift
Shock Absorber	SR003K022	2 units	Gas charged Strut
Strut Cap	SP00008	2 units	Replacement Strut Top Cap
Strut Spacer	SS00002	2 units	6mm thick for trimming or raising vehicle

REAR SUSPENSION

Coil Spring	CGC00001 CGC05001	1 pair 1 pair	Constant Spring 100 kg extra load, Standard Lift Constant Spring 100 kg extra load, 2" Lift
Shock Absorber	SR002K070	2 units	Gas Charged Shock

FRONT SUSPENSION

Torsion Bar	TR00009	1 pair	26 mm Diameter x 927 mm
Shock Absorber	SR002K026	2 units	Gas charged Shock

REAR SUSPENSION

Leaf Spring	LGI00001 LGI01001	2 units 2 units	7 (5+2) Constant Leaf Spring extra load 250 kgs 8 (6+2) Constant Leaf Spring extra load 450 kgs
Shock Absorber	SR002K020	2 units	Gas Charged Shock
Bush Kit	BTC024	1 kit	Urethane bush kit
Fixed Pin	FN10012	2 units	Greasable Pin
Shackle	SE01005	2 units	Greasable Shackle
U Bolt	UT00001	4 units	Round Top U Bolts

FRONT SUSPENSION

Torsion Bar	TR00013	1 pair	27 mm Diameter x 1024 mm
Shock Absorber	SR002K026	2 units	Gas charged Shock

REAR SUSPENSION

Leaf Spring	LG100002 LG101002	2 units 2 units	7 (5+2) Constant Leaf Spring extra load 300 kgs 8 (6+2) Constant Leaf Spring extra load 500 kgs
Shock Absorber	SR002K020	2 units	Gas Charged Shock
Bush Kit	BTC030	1 kit	Urethane bush kit
Fixed Pin	FN00007	2 units	14 mm pin
Shackle	SE01005	2 units	Greasable Shackle
U Bolt	UT00014	4 units	Round Top U Bolts

FRONT SUSPENSION

Coil Spring	CGI08001 CGI00001 CGI05001	1 pair 1 pair 1 pair	Up to 70 kg extra load constant spring, Standard lift Up to 70 kg extra load constant spring, 2" lift 70-120 kg extra load constant spring, 2" lift
Shock Absorber	SR003K021	2 units	Gas charged Strut
Replacement Bushes	SOK0012 1	2 units	Steel-Rubber Bushes
Replacement Bushes	SOK0033 2	2 units	Steel-Rubber Bushes
Strut Cap	SP00003	2 units	Replacement Strut top Cap
Strut Spacer	SS00002	2 units	6mm thick for trimming or raising vehicle

REAR SUSPENSION

Leaf Spring	LGI00003 LGI01003	2 units 2 units	6 (4+2) Constant Leaf Spring extra load 300 kgs 7 (5+2) Constant Leaf Spring extra load 500 kgs
Shock Absorber	SR002K020	2 units	Gas Charged Shock
Bush Kit	BTC031	1 kit	Urethane bush kit
Fixed Pin	FN00007	2 units	14 mm pin
Shackle	SE01009	2 units	Greasable Shackle
U Bolt	UT00014	4 units	Round Top U Bolts

REMARKS:

1. Applicable to batch 20200803(included) or before
2. Applicable to batch 20201001(included) or after

FRONT SUSPENSION

Coil Spring	CGC00003	1 pair	Up to 70 kg constant spring, 2" lift
	CGC05003	1 pair	70-120 kg constant spring, 2" lift
	CGCA0003	1 pair	Up to 70 kg constant spring, 2" lift (Kalahari Series ONLY)
Shock Absorber	SR003K022	2 units	Gas charged Strut
	SRA03K022	2 units	Kalahari Series
Strut Cap	SP00008	2 units	Replacement Strut top Cap
Strut Spacer	SS00002	2 units	6mm thick for trimming or raising vehicle

REAR SUSPENSION

Leaf Spring	LG100003	2 units	6 (4+2) Constant Leaf Spring extra load 300 kg
	LG101003	2 units	7 (5+2) Constant Leaf Spring extra load 500 kg
Shock Absorber	SR002K020	2 units	Gas Charged Shock
	SRA02K020	2 units	Kalahari Series
Bush Kit	BTC031	1 kit	Urethane bush kit
Fixed Pin	FN00007	2 units	14 mm pin
Shackle	SE01009	2 units	Greasable Shackle
U Bolt	UT00014	4 units	Round Top U Bolts

FRONT SUSPENSION

Torsion Bar	TR00012	1 pair	30 mm Diameter x 1142 mm
Shock Absorber	SR002K060	2 units	Gas charged Shock

REAR SUSPENSION

Leaf Spring	LGE00002 LGE01002	2 units 2 units	6 (4+2) Constant Leaf Spring extra load 300 kgs 7 (5+2) Constant Leaf Spring extra load 500 kgs
Shock Absorber	SR002K038	2 units	Gas Charged Shock
Bush Kit	BTC016	1 kit	Urethane bush kit
Fixed Pin	FN00007	2 units	14 mm pin
Shackle	SE01006 SE04006	2 units 2 units	Greasable Shackle Greasable Shackle Extended
U Bolt	UT00014	4 units	Round Top U Bolts

FRONT SUSPENSION

Coil Spring	CGM00205 CGM05205	1 pair 1 pair	Up to 60 kg extra load constant spring, 2" lift 60 to 90 kg extra load constant spring, 2" lift
Shock Absorber	SR003K023	2 units	Gas charged Strut
Replacement Bushes	SOK0016 1	2 units	Steel-Rubber Bushes
Strut Cap	SP00004	2 units	Replacement Strut top Cap
Strut Spacer	SS00002	2 units	6mm thick for trimming or raising vehicle

REAR SUSPENSION

Leaf Spring	LGE00003 LGE01003	2 units 2 units	6 (4+2) Constant Leaf Spring extra load 300 kgs 7 (5+2) Constant Leaf Spring extra load 500 kgs
Shock Absorber	SR002K038	2 units	Gas Charged Shock
Bush Kit	BTC034	1 kit	Urethane bush kit
Fixed Pin	FN00007	2 units	14 mm pin
Shackle	SE01010	2 units	Greasable Shackle
U Bolt	UT02005	4 units	Square Top U Bolts

REMARKS:

1. Applicable to batch 20201001(included) or after

FRONT SUSPENSION

Coil Spring	CGM00205 CGM05205	1 pair 1 pair	Up to 60kg extra constant spring, 2" lift 60-90 kg extra constant spring, 2" lift
Shock Absorber	SR003K025	2 units	Gas charged Strut
Strut Cap	SP00004	2 units	Replacement Strut top Cap
Strut Spacer	SS00002	2 units	6mm thick for trimming or raising vehicle

REAR SUSPENSION

Leaf Spring	LGF00001 LGF03001	2 units 2 units	4(3+1) Constant Leaf Spring extra load 250 kg 5(4+1) Constant Leaf Spring extra load 350 kg
Shock Absorber	SR002K038	2 units	Gas Charged Shock
Bush Kit	BTC046	1 kit	Urethane bush kit
Fixed Pin	FN00007	2 units	14 mm pin
Shackle	SE01012	2 units	Greasable Shackle
U Bolt	UT02005	4 units	Round Top U Bolts

FRONT SUSPENSION

Coil Spring	CGM00205 CGM05205	1 pair 1 pair	Up to 60 kg extra load constant spring, 2" lift 60 to 90 kg extra load constant spring, 2" lift
Shock Absorber	SR003K023	2 units	Gas charged Strut
Replacement Bushes	SOK0016 1	2units	Steel-Rubber Bushes
Strut Cap	SP00004	2 units	Replacement Strut Top Cap
Strut Spacer	SS00002	2 units	6mm thick for trimming or raising vehicle

REAR SUSPENSION

Coil Spring	CGE00001 CGE05001	1 pair 1 pair	Up to 100 kg extra load constant spring, Standard Lift Up to 100 kg extra load, constant spring, 2" Lift
Shock Absorber	SR002K065	2 units	Gas Charged Shock

REMARKS:

1. Applicable to batch 20201001(included) or after

FRONT SUSPENSION

Coil Spring	CGG00017 CGG00018	1 pair 1 pair	Up to 45 kg load constant spring (petrol engine), 2" lift Up to 45 kg load constant spring (diesel engine), 2" lift
Shock Absorber	SR002K010	2 units	Gas charged Shock

REAR SUSPENSION

Coil Spring	CGG00019 CGG00020	1 pair 1 pair	SWB up to 100 kg constant extra load, 2" lift LWB up to 100 kg constant extra load, 2" lift
Shock Absorber	SR002K011	2 units	Gas Charged Shock

LAND ROVER

DISCOVERY 2 - 1999 TO 2004

FRONT SUSPENSION

Coil Spring	CGH00006A	1	1 pair	Up to 45 kg load constant spring (petrol engine), 2" lift
Shock Absorber	SR002K056		2 units	Gas charged Shock
Steering Damper	SG00005		1 unit	eye - eye

REAR SUSPENSION

Coil Spring	CGH00010A	2	1 pair	100 kg extra load constant spring, 2" lift
	CGH05010A	3	1 pair	250 kg extra load constant spring, 2"lift
Shock Absorber	SR002K057		2 units	Gas Charged Shock

REMARKS:

1. Consisted of CGH00006 & CGH00007, details refer to the specifications
2. Consisted of CGH00010 & CGH00011, details refer to the specifications
3. Consisted of CGH05010 & CGH05011, details refer to the specifications

LAND ROVER

DEFENDER 110 - 2009 ONWARDS

FRONT SUSPENSION

Coil Spring	CGH00004A	1	1 pair	Up to 45 kg extra load constant spring, 2" lift
	CGH05004A	2	1 pair	Up to 80 kg extra load constant spring, 2" lift
Shock Absorber	SR002K052		2 units	Gas charged Shock

REAR SUSPENSION

Coil Spring	CGH00001		1 pair	200 kg extra load constant spring, 2" lift
	CGH05001		1 pair	350 kg extra load constant spring, 2" lift
Shock Absorber	SR002K053		2 units	Gas Charged Shock

REMARKS:

1. Consisted of CGH00004 & CGH00005, details refer to the specifications
2. Consisted of CGH05004 & CGH05005, details refer to the specifications

MITSUBUSHI

PAJERO V31 SWB & LWB LEAF REAR - 1988 TO 1996

FRONT SUSPENSION

Torsion Bar	TR00002 TR00004	1 pair 1 pair	26 mm diameter x 1280 mm NF, NG, 2" lift 27.5 mm diameter x 1307 mm NH, NL, 2" lift
Shock Absorber	SR002K026	2 units	Gas Charged Shock - 1991 onward version

REAR SUSPENSION

Leaf Spring	LGJ00001 LGJ00002	2 units 2 units	5 (4+1) load up to 150kgs, NH-NJ, SWB NA-NG 5 (4+1) load up to 150kgs, LWB NA-NG
Shock Absorber	SR002K038	2 units	Gas Charged Shock
Bush Kit	BTC010	1 kit	Urethane bush kit
Shackle	SE01016	2 units	Greasable Shackle
U Bolt	UT00008	4 units	Round Top U Bolts

MITSUBUSHI

PAJERO V31 SWB & LWB COIL REAR - FROM 1988 TO 2000

FRONT SUSPENSION

Torsion Bar	TR00002	1 pair	26 mm diameter x 1280 mm NF, NG, 2" lift
	TR00004	1 pair	27.5 mm diameter x 1307 mm NH, NL, 2" lift
Shock Absorber	SR002K026	2 units	Gas Charged Shock - 1991 onward version

REAR SUSPENSION

Coil Spring	CGJ00004A 1	1 pair	SWB Constant spring 100kg extra load, 2" lift
	CGJ00002A 2	1 pair	LWB Constant Spring 100kg, extra load, 2" lift
	CGJ05002A 3	1 pair	LWB Constant Spring 200kg, extra load, 2" lift
Shock Absorber	SR002K047	2 units	Gas Charged Shock - 1991 onward version

REMARKS:

1. Consisted of CGJ00004 & CGJ00005, details refer to the specifications
2. Consisted of CGJ00002 & CGJ00003, details refer to the specifications
3. Consisted of CGJ05002 & CGJ05003, details refer to the specifications

MITSUBISHI

PAJERO V73/V93/V97 NM NP NS NT NW - 2000 ONWARDS

FRONT SUSPENSION

Coil Spring	CGJ00001	1 pair	65 kg extra load constant spring petrol Engine, 2" lift 60-90kg extra load constant spring diesel engine 2" lift 65 kg extra load constant spring petrol/diesel Engine, 2" lift (Kalahari Series ONLY)
	CGJ05001	1 pair	
	CGJA0001	1 pair	
Shock Absorber	SR003K001	2units	Gas charged Strut Kalahari Series
	SRA03K001	2units	
Strut Cap	SP00006	2units	Replacement Strut Top Cap
Strut Spacer	SS00002	2units	6mm thick for trimming or raising vehicle

REAR SUSPENSION

Coil Spring	CGJ00006A 1	1 pair	150 kg extra load LWB constant spring, 2" lift 150 kg extra load SWB constant spring, 2" lift
	CGJ00010A 2	1 pair	
Shock Absorber	SR002K048	2 units	Gas Charged Shock Kalahari Series
	SRA02K048	2 units	

REMARKS:

1. Consisted of CGJ00006 & CGJ00007, details refer to the specifications
2. Consisted of CGJ00010 & CGJ00011, details refer to the specifications

MITSUBISHI

PAJERO V97 SPORT QE - 2015 ONWARDS

FRONT SUSPENSION

Coil Spring	CGJ00012 CGJ04012	1 pair 1 pair	Up to 60 kg extra load constant spring, 2" lift 60 to 90 kg extra load constant spring, 2" lift
Shock Absorber	SR003K008	2 units	Gas charged Strut
Replacement Bushes	SOK0005 3	2units	Steel-Rubber Bushes
Replacement Bushes	SOK0032 4	2units	Steel-Rubber Bushes
Strut Cap	SP00005	2 units	Replacement Strut Top Cap
Strut Spacer	SS00002	2 units	6mm thick for trimming or raising vehicle

REAR SUSPENSION

Coil Spring	CGJ00004A 1 CGJ00002A 2	1 pair 1 pair	100 kg extra load LWB constant spring, 2" lift 200 kg extra load SWB constant spring, 2" lift
Shock Absorber	SR002K076	2 units	Gas Charged Shock

REMARKS:

1. Consisted of CGJ00004 & CGJ00005, details refer to the specifications
2. Consisted of CGJ00002 & CGJ00003, details refer to the specifications
3. Applicable to batch 20200803(included) or before
4. Applicable to batch 20201001(included) or after

MITSUBISHI

TRITON 4WD ME, MF, MG, MH, MJ, MK - 1986 TO 2006

FRONT SUSPENSION

Torsion Bar	TR00002	1 pair	26 mm diameter x 1280 mm ME - MH, 1985-92, 2" lift
	TR00003	1 pair	
	TR00005	1 pair	26 mm diameter x 1370 mm MJ, 1993-97, 2" lift 27.5 mm diameter x 1370 mm, MK 1997 onwards, 2" lift
Shock Absorber	SR002K026	2 units	Gas charged Shock

REAR SUSPENSION

Leaf Spring	LGJ00003	2 units	5 (4+1) Constant Leaf Spring extra load 250 kgs
Shock Absorber	SR002K021	2 units	Gas Charged Shock
Bush Kit	BTC003	1 kit	Urethane bush kit
Fixed Pin	FN00007	2 units	14mm pin
Shackle	SE01006	2 units	Greasable Shackle
U Bolt	UT00008	4 units	Round Top U Bolts

MITSUBISHI

TRITON 4WD ML MN - 2006 TO 2015

FRONT SUSPENSION

Coil Spring	CGJ00012 CGJ04012	1 pair 1 pair	Up to 70 kg extra load constant spring, 2" lift 70 to 100 kg extra load constant spring, 2" lift
Shock Absorber	SR003K008	2 units	Gas charged Strut
Replacement Bushes	SOK0005 1	2units	Steel-Rubber Bushes
Replacement Bushes	SOK0032 2	2units	Steel-Rubber Bushes
Strut Cap	SP00005	2 units	Replacement Strut top Cap
Strut Spacer	SS00002	2 units	6mm thick for trimming or raising vehicle

REAR SUSPENSION

Leaf Spring	LGJ00004 LGJ01004	2 units 2 units	7 (5+2) Constant Leaf Spring extra load 300 kgs 8 (6+2) Constant Leaf Spring extra load 450 kgs
Shock Absorber	SR002K038	2 units	Gas Charged Shock
Bush Kit	BTC026	1 kit	Urethane bush kit
Fixed Pins	FN00007	2units	14mm pin
Shackle	SE01016	2 units	Greasable Shackle
U Bolt	UT00015 UT00011	4 units 4 units	12 mm Square Head U-Bolt ML MN 14 mm Square Head U-Bolt MN 2012 onwards

REMARKS:

1. Applicable to batch 20200803(included) or before
2. Applicable to batch 20201001(included) or after

MITSUBISHI

TRITON 4WD MQ MR - 2015 ONWARDS

FRONT SUSPENSION

Coil Spring	CGJ00012 CGJ04012	1 pair 1 pair	Up to 70 kg extra load constant spring, 2" lift 70 to 100 kg extra load constant spring, 2" lift
Shock Absorber	SR003K008	2 units	Gas charged Strut
Replacement Bushes	SOK0005	1 2units	Steel-Rubber Bushes
Replacement Bushes	SOK0032	2 2units	Steel-Rubber Bushes
Strut Cap	SP00005	2 units	Replacement Strut top Cap
Strut Spacer	SS00002	2 units	6mm thick for trimming or raising vehicle

REAR SUSPENSION

Leaf Spring	LGJ00005 LGJ01005	2 units 2 units	7 (5+2) Constant Leaf Spring extra load 250 kgs 8 (6+2) Constant Leaf Spring extra load 400 kgs
Shock Absorber	SR002K087 SR002K038	2 units 2 units	Gas Charged Shock Gas Charged Shock (longer version, for higher lift)
Bush Kit	BTC027	1 kit	Urethane bush kit
Fixed Pins	FN00007	2units	14mm pin
Shackle	SE01018	2 units	Greasable Shackle
U Bolt	UT02005	4 units	14 mm Square Head U-Bolt

REMARKS:

1. Applicable to batch 20200803(included) or before
2. Applicable to batch 20201001(included) or after

FRONT SUSPENSION

Coil Spring	CGK00003A 1	1 pair	Up to 45 kg constant spring extra load
	CGK05003A 2	1 pair	Up to 100 kg constant spring extra load
Coil Spacer	CP00002	2 units	15 mm spacer for raising or trimming vehicle
	CP00001	2 units	30 mm spacer for raising or trimming vehicle
Shock Absorber	SR002K030	2 units	Gas charged shock
	SR101K003	2 units	Heavy duty hydraulic shock
Castor Bush Kit	CT00002	1 set	Castor correction kit

REAR SUSPENSION

Coil Spring	CGK00006A 3	1 pair	100 kg extra load progressive spring
	CGK05013A 4	1 pair	200 kg extra load constant spring
	CGK09008A 5	1 pair	250 kg extra load progressive spring
Coil Spacer	CP00003	2 units	15 mm spacer for raising or trimming vehicle
	CP00004	2 units	30 mm spacer for raising or trimming vehicle
Shock Absorber	SR002K031	2 units	Gas Charged Shock
	SR101K004	2 units	Heavy Duty Hydraulic Shock

REMARKS:

1. Consisted of CGK00003 & CGK00004, details refer to the specifications
2. Consisted of CGK05003 & CGK05004, details refer to the specifications
3. Consisted of CGK00006 & CGK00007, details refer to the specifications
4. Consisted of CGK05013 & CGK05014, details refer to the specifications
5. Consisted of CGK09008 & CGK09009, details refer to the specifications

FRONT SUSPENSION

Coil Spring	CGK10003A 1	1 pair	Up to 50 kg extra load constant spring, 3" lift
	CGK11003A 2	1 pair	Up to 50kg extra load constant spring, 4" lift
Coil Spacer	CP00002	2 units	15 mm spacer for raising or trimming vehicle
	CP00001	2 units	30 mm spacer for raising or trimming vehicle
Shock Absorber	SR004K002	2 units	Big Bore Gas charged shock
Castor Bush Kit	CT00002	1 set	Castor correction kit
PanhardRod (adj)	PD00002	1 unit	All models to 04/2000
	PD00004	1 unit	GU series 2 - 04/2000 on (large spherical bush one end)
Extended Brake Hose	ES00003	1 set	Non ABS and single brake hose

REAR SUSPENSION

Coil Spring	CGK10013A 3	1 pair	Up to 150 kg extra load constant spring, 3" lift
	CGK11013A 4	1 pair	Up to 150kg extra load constant spring, 4" lift
Coil Spacer	CP00003	2 units	15 mm spacer for raising or trimming vehicle
	CP00004	2 units	30 mm spacer for raising or trimming vehicle
Shock Absorber	SR004K003	2 units	Big bore gas charged shock
Pan hard Rod (adj)	PD00003	1 unit	All models to 04/2000
	PD00005	1 unit	GU series 2 - 04/ 2000 on (large spherical bush one end)
Extended Brake Hose	ES00004	1 set	Non ABS and single brake hose

REMARKS:

1. Consisted of CGK10003 & CGK10004, details refer to the specifications
2. Consisted of CGK11003 & CGK11004, details refer to the specifications
3. Consisted of CGK10013 & CGK10014, details refer to the specifications
4. Consisted of CGK11013 & CGK11014, details refer to the specifications

NISSAN

PALADIN, NAVARA D21 -1986 TO 1997/ D22-1997 TO 2006

FRONT SUSPENSION

Torsion Bar	TR00007	1 pair	26 mm diameter x 1202 mm, D21 model
	TR00006	1 pair	26 mm diameter x 890 mm, D22 model
Shock Absorber	SR002K026	2 units	Gas charged Shock, D21 model
	SR002K007	2 units	Gas charged Shock, D22 model

REAR SUSPENSION

Leaf Spring	LGK00008	2 units	5 (3+2) Constant Leaf Spring extra load 150 kgs
Shock Absorber	SR002K038	2 units	Gas Charged Shock
Bush Kit	BTC004	1 kit	Urethane bush kit
Fixed Pin	FN10013	2 units	Greasable Pin
Shackle	SE01014	2 units	Greasable Shackle
U Bolt	UT00020	4 units	Square Top U Bolts

FRONT SUSPENSION

Coil Spring	CGK00018 CGK05018 CGK06018	1 pair 1 pair 1 pair	Up to 40 kg extra load constant spring, 2" lift Up to 70 kg extra load constant spring, 2" lift Used with 3L Diesel version, 2" lift
Shock Absorber	SR003K009	2 units	Gas charged Strut
Replacement Bushes	SOK0004 1	2units	Steel-Rubber Bushes
Replacement Bushes	SOK1004 2	2units	Steel-Rubber Bushes
Strut Cap	SP00007	2 units	Replacement Strut top Cap
Strut Spacer	SS00002	2 units	6mm thick for trimming or raising vehicle

REAR SUSPENSION

Leaf Spring	LGK00009 LGK01009	2 units 2 units	6 (4+2) Constant Leaf Spring extra load 300 kgs 7 (5+2) Constant Leaf Spring extra load 500 kgs
Shock Absorber	SR002K023	2 units	Gas Charged Shock
Bush Kit	BTC029	1 kit	Urethane bush kit
Fixed Pin	FN00007	2 units	14 mm pin
Shackle	SE01008	2 units	Greasable Shackle
U Bolt	UT02005	4 units	Square Top U Bolts

REMARKS:

1. Applicable to batch 20200803(included) or before
2. Applicable to batch 20201001(included) or after

FRONT SUSPENSION

Coil Spring	CGK05018 CGK06018	1 pair 1 pair	Up to 40 kg extra load constant spring, 2" lift Up to 70 kg extra load constant spring, 2" lift
Shock Absorber	SR003K009	2 units	Gas charged Strut
Replacement Bushes	SOK0004 1	2 units	Steel-Rubber Bushes
Replacement Bushes	SOK1004 2	2 units	Steel-Rubber Bushes
Strut Cap	SP00007	2 units	Replacement Strut top Cap
Strut Spacer	SS00002	2 units	6mm thick for trimming or raising vehicle

REAR SUSPENSION

Leaf Spring	LGK00011	2 units	6 (4+2) Constant Leaf Spring extra load 300 kgs
Shock Absorber	SR002K038	2 units	Gas Charged Shock
Bush Kit	BTC029	1 kit	Urethane bush kit
Fixed Pin	FN00007	2 units	14 mm pin
Shackle	SE01014	2 units	Greasable Shackle
U Bolt	UT00001	4 units	Round Top U Bolts

REMARKS:

1. Applicable to batch 20200803(included) or before
2. Applicable to batch 20201001(included) or after

FRONT SUSPENSION

Coil Spring	CGK05018 CGK06018	1 pair 1 pair	Up to 40 kg extra load constant spring, 2" lift Up to 70 kg extra load constant spring, 2" lift
Shock Absorber	SR003K009	2 units	Gas charged Strut
Replacement Bushes	SOK0004 1	2 units	Steel-Rubber Bushes
Replacement Bushes	SOK1004 2	2units	Steel-Rubber Bushes
Strut Cap	SP00007	2 units	Replacement Strut top Cap
Strut Spacer	SS00002	2 units	6mm thick for trimming or raising vehicle

REAR SUSPENSION

Coil Spring	CGK00020 CGK05020	1 pair 1 pair	150 kg extra load progressive spring, 2" lift 250 kg extra load progressive spring, 2" lift
Shock Absorber	SR002K023	2 units	Gas Charged Shock
Panhard Rod	PD00011	1 unit	Installed for lifted springs

REMARKS:

1. Applicable to batch 20200803(included) or before
2. Applicable to batch 20201001(included) or after

FRONT SUSPENSION

Coil Spring	CGK00018 CGK05018	1 pair 1 pair	Up to 45 kg extra load constant spring, 2" lift 45 to 70 kg extra load constant spring, 2" lift
Shock Absorber	SR003K009	2 units	Gas charged Strut
Replacement Bushes	SOK0004 1	2 units	Steel-Rubber Bushes
Replacement Bushes	SOK1004 2	2units	Steel-Rubber Bushes
Strut Cap	SP00007	2 units	Replacement Strut Top Cap
Strut Spacer	SS00002	2 units	6mm thick for trimming or raising vehicle

REAR SUSPENSION

Coil Spring	CGK00019	1 pair	150 kgs extra load constant spring, 2" lift
Shock Absorber	SR002K024	2 units	Gas Charged Shock

REMARKS:

1. Applicable to batch 20200803(included) or before
2. Applicable to batch 20201001(included) or after

FRONT SUSPENSION

Coil Spring	CGK05018 CGK06018	1 pair 1 pair	40 kg extra load constant spring, 2" lift 70 kg extra load constant spring, 2" lift
Shock Absorber	SR003K009	2 units	Gas charged Strut
Replacement Bushes	SOK0004 1	2 units	Steel-Rubber Bushes
Replacement Bushes	SOK1004 2	2units	Steel-Rubber Bushes
Strut Cap	SP00007	2 units	Replacement Strut Top Cap
Strut Spacer	SS00002	2 units	6mm thick for trimming or raising vehicle

REAR SUSPENSION

Coil Spring	CGK00020 CGK05020	1 pair 1 pair	150 kg extra load progressive spring, 2" lift 250 kg extra load progressive spring, 2" lift
Shock Absorber	SR002K076	2 units	Gas Charged Shock

REMARKS:

1. Applicable to batch 20200803(included) or before
2. Applicable to batch 20201001(included) or after

SUZUKI

GRAND VITARA 4CYL SWB AND LWB - 1998 TO 2001

FRONT SUSPENSION

Coil Spring	CGL00014	1 pair	40 kg extra load constant spring, ST" lift
Shock Absorber	SR003K002 SR003K003	1 unit 1 unit	Gas charged Strut (RHS) Gas charged Strut (LHS)
Strut Spacer	SS00002	2 units	6mm thick for trimming or raising vehicle

REAR SUSPENSION

Coil Spring	CGL00011	1 pair	80 kg extra load constant spring, ST lift
Shock Absorber	SR002K017	2 units	Gas Charged Shock

FRONT SUSPENSION

Coil Spring	CGL00005	1 pair	40 kg extra load constant spring, ST" lift
Shock Absorber	SR003K002 SR003K003	1 unit 1 unit	Gas charged Strut (RHS) Gas charged Strut (LHS)
Strut Spacer	SS00002	2 units	6mm thick for trimming or raising vehicle

REAR SUSPENSION

Coil Spring	CGL00011	1 pair	80 kg extra load constant spring, ST lift
Shock Absorber	SR002K017	2 units	Gas Charged Shock

FRONT SUSPENSION

Coil Spring	CGL00015	1 pair	40 kg extra load constant spring, ST" lift
Shock Absorber	SR003K018 SR003K019	1 unit 1 unit	Gas charged Strut (RHS) Gas charged Strut (LHS)
Strut Spacer	SS00002	2 units	6mm thick for trimming or raising vehicle

REAR SUSPENSION

Coil Spring	CGL00016	1 pair	80 kg extra load constant spring, ST lift
Shock Absorber	SR002K018	2 units	Gas Charged Shock

SUZUKI

SIERRA SJ/LJ WAGON AND TRAYBACK - PRIOR TO 1988

FRONT SUSPENSION

Leaf Spring	LGL00001 LGL00003	2 units 2 units	4 leafs 50 kg extra load constant leaf spring (tray-back) 4 leafs 40 kg extra load constant leaf spring (wagon)
Shock Absorber	SR002K015	2 units	Gas charged Shock
Bush Kit	BTC019	1 kit	Urethane Bush Kit
Fixed Pin	FN00010	2 units	Shackle Bolt
Shackle	SE00011	2 units	Shackle Kit
U Bolt	UT00016 UT00017	2 units 2 units	Round Top U-Bolt - Drivers Side Round Top U-Bolt - Passenger Side

REAR SUSPENSION

Leaf Spring	LGL00002 LGL00004	2 units 2 units	5 (3+2) 100 kg extra load constant leaf spring (trayback) 5 (4+1) 80 kg extra load constant leaf spring (wagon)
Shock Absorber	SR002K016	2 units	Gas Charged Shock
Bush Kit	BTC019	1 kit	Urethane Bush Kit
Fixed Pin	FN00010	2 units	Shackle Bolt
Shackle	SE00011	2 units	Shackle Kit
U Bolt	UT00017	4 units	Round Top U bolt

SUZUKI

JIMINY- 1998 TO 2018

FRONT SUSPENSION

Coil Spring	CGL00006	1 pair	45 kg extra load constant spring, Standard lift
	CGL04006	1 pair	45 kg extra load constant spring, 2" lift
	CGL10006	1 pair	45 kg extra load constant spring, 3" lift

Shock Absorber	SR002K013	2 units	Gas charged Shock
----------------	-----------	---------	-------------------

REAR SUSPENSION

Coil Spring	CGL00012A 1	1 pair	80 kg extra load constant spring, Standard lift
	CGL04012A 2	1 pair	80 kg extra load constant spring, 2" lift
	CGL10012A 3	1 pair	80 kg extra load constant spring, 3" lift

Shock Absorber	SR002K014	2 units	Gas Charged Shock
----------------	-----------	---------	-------------------

REMARKS:

1. Consisted of CGL00012 & CGL00013, details refer to the specifications
2. Consisted of CGL04012 & CGL04013, details refer to the specifications
3. Consisted of CGL10012 & CGL00013, details refer to the specifications

SUZUKI

JIMINY - 2019 ONWARDS

FRONT SUSPENSION

Coil Spring	CGL00019	1 pair	Up to 45 kg extra load constant spring, 2" lift
Shock Absorber	SRA02K078	2 units	Adjustable Shock (Kalahari Series)

REAR SUSPENSION

Coil Spring	CGL00017A 1	1 pair	Up to 80 kg extra load constant spring, 2" lift
Shock Absorber	SRA02K079	2 units	Adjustable Shock (Kalahari Series)

REMARKS:

1. Consisted of CGL00017 & CGL00018, details refer to the specifications

TOYOTA

LANDCRUISER FJ/BJ40 - 1969 TO 1980

FRONT SUSPENSION

Leaf Spring	LGM00101	2 units	8 leaves 80 kgs extra load constant leaf spring
Shock Absorber	SR002K036	2 units	Gas charged Shock
Bush Kit	BTC008	1 kit	Urethane Bush Kit
Fixed Pin	FN10001	2 units	Greasable Pin
Shackle	SE01001	2 units	Greasable Shackle
U Bolt	UT00001	4 units	Round Top U-Bolt

REAR SUSPENSION

Leaf Spring	LGM00102	2 units	7 leaves, 80 kgs extra load constant leaf spring
Shock Absorber	SR002K038	2 units	Gas Charged Shock
Bush Kit	BTC008	1 kit	Urethane Bush Kit
Fixed Pin	FN10001	2 units	Greasable Pin
Shackle	SE01001	2 units	Greasable Anti Inversion Shackle
U Bolt	UT00001	4 units	Round Top U bolt

TOYOTA

LANDCRUISER FJ/BJ40 - 1980 TO 1986

FRONT SUSPENSION

Leaf Spring	LGM00104	2 units	8 leaves 80 kgs extra load constant leaf spring
Shock Absorber	SR002K036	2 units	Gas charged Shock
Bush Kit	BTC012	1 kit	Urethane Bush Kit
Fixed Pin	FN10003	2 units	Greasable Pin
Shackle	SE01002	2 units	Greasable Shackle
U Bolt	UT00007 UT00001	1 unit 3 units	Driver's side inner square top U-Bolt Round Top U-Bolt

REAR SUSPENSION

Leaf Spring	LGM04104	2 units	7 leaves 100 kgs extra load constant leaf spring
Shock Absorber	SR002K038	2 units	Gas Charged Shock
Bush Kit	BTC012	1 kit	Urethane Bush Kit
Fixed Pin	FN10003	2 units	Greasable Pin
Shackle	SE01002	2 units	Greasable Anti Inversion Shackle
U Bolt	UT00001	4 units	Round Top U bolt

FRONT SUSPENSION

Leaf Spring	LGM00101	2 units	8 leaf 80 kgs extra load constant leaf spring
Shock Absorber	SR002K036	2 units	Gas charged Shock
Bush Kit	BTC008	1 kit	Urethane Bush Kit
Fixed Pin	FN10001	2 units	Greasable Pin
Shackle	SE01001	2 units	Greasable Shackle
U Bolt	UT00001	4 units	Round top U-Bolt

REAR SUSPENSION

Leaf Spring	LGM00103	2 units	7 leaf, 100 kgs extra load constant leaf spring
Shock Absorber	SR002K038	2 units	Gas Charged Shock
Bush Kit	BTC009	1 kit	Urethane Bush Kit
Fixed Pin	FN10002	2 units	Greasable Pin
Shackle	SE02002 SE03002	1 unit 1 unit	Greasable Shackle (Left) Greasable Shackle (Right)
U Bolt	UT00002	4 units	Round Top U bolt

TOYOTA

LANDCRUISER FJ/HJ45 47 - 1980 TO 1986

FRONT SUSPENSION

Leaf Spring	LGM00104	2 units	8 leaves 80 kgs extra load constant leaf spring
Shock Absorber	SR002K036	2 units	Gas charged Shock
Bush Kit	BTC012	1 kit	Urethane Bush Kit
Fixed Pin	FN10003	2 units	Greasable Pin
Shackle	SE01002	2 units	Greasable Shackle
U Bolt	UT00007 UT00001	1 unit 3 units	Driver's side inner square top U-Bolt Round Top U-Bolt

REAR SUSPENSION

Leaf Spring	LGM00105	2 units	7 leaves 100 kgs extra load constant leaf spring
Shock Absorber	SR002K038	2 units	Gas Charged Shock
Bush Kit	BTC012	1 kit	Urethane Bush Kit
Fixed Pin	FN10003	2 units	Greasable Pin
Shackle	SE02002 SE03002	1 unit 1 unit	Greasable Shackle (Left) Greasable Shackle (Right)
U Bolt	UT00002	4 units	Round Top U bolt

FRONT SUSPENSION

Coil Spring	CGM00107	1 pair	50 kg extra load constant spring, Standard lift
	CGM00104	1 pair	100 kg extra load constant spring, 2" lift
	CGM05104	1 pair	100 to 130 kg extra load constant spring, 2" lift
Coil Spacer	CP00011	2 units	10 mm spacer for raising or trimming vehicle
Shock Absorber	SR002K030	2 units	Gas charged shock
	SR101K003	2 units	Heavy duty shock
Castor Bush Kit	CT00001	1set	Castor correction kit

REAR SUSPENSION

Leaf Spring	LGM00117	2 units	6 (4+2) constant leaf spring extra load 250 kgs
	LGM01117	2 units	7 (5+2) constant leaf spring extra load 350 kgs
Shock Absorber	SR002K031	2 units	Gas Charged Shock
	SR101K004	2 units	Heavy Duty Shock
Bush Kit	BTC020	1 kit	Urethane bush kit using OE 14mm pin
	BTC021	1 kit	Urethane bush kit using Sandkat parts
Fixed Pin	FN10005	2 units	Greasable Pin
Shackle	SE01003	2 units	Greasable Shackle
	SE04003	2 units	45 mm extended Shackle
U Bolt	UT00002	4 units	Round top U-bolt
	UT01002	4 units	16 mm round top U-bolt (requires plate drilling)

TOYOTA

LANDCRUISER HZJ/VDJ 78/79 SERIES

FRONT SUSPENSION

Coil Spring	CGM00107	1 pair	50 kg extra load constant spring, Standard lift
	CGM00104	1 pair	100 kg extra load constant spring, 2" lift
	CGM05104	1 pair	100 to 130 kg extra load constant spring, 2" lift
Coil Spacer	CP00011	2 units	10 mm spacer for raising or trimming vehicle
Shock Absorber	SR002K030	2 units	Gas charged shock
	SR101K003	2 units	Heavy duty shock
Castor Bush Kit	CT00001	1set	Castor correction kit

REAR SUSPENSION

Leaf Spring	LGM00114	2 units	9 (7+2) constant leaf spring extra load 200 kgs
	LGM00115	2 units	10 (8+2) constant leaf spring extra load 300 kgs
	LGM00116	2 units	11 (9+2) constant leaf spring extra load 500 kgs
	LGM01114	2 units	10 (8+2) constant leaf spring extra load 600 kgs
Shock Absorber	SR002K031	2 units	Gas Charged Shock
	SR101K004	2 units	Heavy Duty Shock
Bush Kit	BTC020	1 kit	Urethane bush kit using OE 14mm pin
	BTC021	1 kit	Urethane bush kit using Sandkat parts
Fixed Pin	FN10005	2 units	Greasable Pin
Shackle	SE01003	2 units	Greasable Shackle
	SE04003	2 units	45 mm extended Shackle
U Bolt	UT00002	4 units	Round top U-bolt
	UT01002	4 units	16 mm round top U-bolt (requires plate drilling)

TOYOTA

LANDCRUISER FJ/HJ 80, 100, 105 SERIES

FRONT SUSPENSION

Coil Spring	CGM00108A 1	1 pair	45 kg extra load constant spring, Standard lift
	CGM00105A 2	1 pair	60 kg extra load constant spring, 2" lift
	CGM05105A 3	1 pair	60 to 90 kg extra load constant spring, 2"lift
Coil Spacer	CP00005	2 units	10 mm spacer for raising or trimming vehicle
	CP00006	2 units	20 mm spacer for raising or trimming vehicle
	CP00007	2 units	30 mm spacer for raising or trimming vehicle
Shock Absorber	SR002K029	2 units	Gas charged shock
Steering Dampers	SG00015	1unit	Eye/Pin - Eye/Pin
Castor Bush Kit	CT00001	1set	Castor correction kit

REAR SUSPENSION

Coil Spring	CGM00117A 4	1 pair	80 kg extra load constant spring, standard lift
	CGM00115A 5	1 pair	100 kg extra load constant spring, 2" lift
	CGM00110A 6	1 pair	250 kg extra load progressive spring, 2"lift
	CGM05114A 7	1 pair	350 kg extra load constant spring, 2" lift
Coil Spacer	CP00008	2 units	10 mm spacer for raising or trimming vehicle
	CP00009	2 units	15 mm spacer for raising or trimming vehicle
	CP00010	2 units	30 mm spacer for raising or trimming vehicle
Shock Absorber	SR002K032	2 units	Gas Charged Shock

REMARKS:

1. Consisted of CGM00108 & CGM00109, details refer to the specifications
2. Consisted of CGM00105 & CGM00106, details refer to the specifications
3. Consisted of CGM05105 & CGM05106, details refer to the specifications
4. Consisted of CGM00117 & CGM00118, details refer to the specifications
5. Consisted of CGM00115 & CGM00116, details refer to the specifications
6. Consisted of CGM00110 & CGM00111, details refer to the specifications
7. Consisted of CGM05114 & CGM05115, details refer to the specifications

TOYOTA

LANDCRUISER FJ/HJ 80, 100, 105 SERIES 3-4" LIFT

FRONT SUSPENSION

Coil Spring	CGM10102A 1	1 pair	50 kg extra load constant spring, 3" lift
	CGM11102A 2	1 pair	50 kg extra load constant spring, 4" lift
Coil Spacer	CP00005	2 units	10 mm spacer for raising or trimming vehicle
	CP00006	2 units	20 mm spacer for raising or trimming vehicle
	CP00007	2 units	30 mm spacer for raising or trimming vehicle
Shock Absorber	SR004K001	2 units	Big bore gas charged shock
Steering Dampers	SG00015	1unit	Eye/Pin - Eye/Pin
Castor Bush Kit	CT00001	1 kit	Castor correction kit
Extended Break Hose	ES00001	1unit	Stainless Steel Non-ABS single brake hose
Panhard Rod	PD00006L	1 unit	Adjustable Panhard Rod (Left Wheel Drive)
	PD00006R	1 unit	Adjustable Panhard Rod (Right Wheel Drive)

REAR SUSPENSION

Coil Spring	CGM10113A 3	1 pair	150 kg extra load constant spring, 3" lift
	CGM11113A 4	1 pair	150 kg extra load constant spring, 4" lift
Coil Spacer	CP00008	2 units	10 mm spacer for raising or trimming vehicle
	CP00009	2 units	15 mm spacer for raising or trimming vehicle
	CP00010	2 units	30 mm spacer for raising or trimming vehicle
Shock Absorber	SR004K004	2 units	Big bore gas charged shock
Extended Break Hose	ES00002	1unit	Stainless Steel Non-ABS Single brake hose
Panhard Rod	PD00007	1 unit	Adjustable Panhard Rod

REMARKS:

1. Consisted of CGM10102 & CGM10103, details refer to the specifications
2. Consisted of CGM11102 & CGM11103, details refer to the specifications
3. Consisted of CGM10113 & CGM10114 , details refer to the specifications
4. Consisted of CGM11113 & CGM11114, details refer to the specifications

TOYOTA

LANDCRUISER 100 SERIES I.F.S.

FRONT SUSPENSION

Torsion Bar	TR00016	1 pair	32 mm bar diameter x 1160 mm, Petrol and Lexus
	TR00017	1 pair	32 mm bar diameter x 1210 mm, Turbo and Diesel
Shock Absorber	SR002K033	2 units	Gas charged Shock
Reinforcing Bracket	RT00001	1 kit	Installed with replacement torsion bars

REAR SUSPENSION

Coil Spring	CGM00115A 1	1 pair	Up to 200kg extra load constant spring, 2" lift
	CGM00110A 2	1 pair	Up to 200-250kg extra load progressive spring, 2" lift
	CGM05114A 3	1 pair	Up to 300kg extra load constant spring, 2" lift
Coil Spacer	CP00008	2 units	10 mm spacer for raising or trimming vehicle
	CP00009	2 units	15 mm spacer for raising or trimming vehicle
	CP00010	2 units	30 mm spacer for raising or trimming vehicle
Shock Absorber	SR004K005	2 units	Big bore gas charged shock

REMARKS:

1. Consisted of CGM00115 & CGM00116, details refer to the specifications
2. Consisted of CGM00110 & CGM00111, details refer to the specifications
3. Consisted of CGM05114 & CGM05115, details refer to the specifications

TOYOTA

LANDCRUISER 200 SERIES

FRONT SUSPENSION

Coil Spring	CGM00119 CGM05119	1 pair 1 pair	Up to 60 kg extra load constant spring, 2" lift 70 kg to 120 kg extra load constant spring, 2" lift
Shock Absorber	SR003K004	2 units	Gas charged Strut
Strut Cap	SP00002	2 units	Replacement Strut top Cap
Strut Spacer	SS00001	2 units	10 mm thick for trimming or raising vehicle

REAR SUSPENSION

Coil Spring	CGM00120/121 1 CGM05120/121 2 CGM06120/121 3	1 pair 1 pair 1 pair	100 kg extra load constant spring, 2" lift 250 kg extra load constant spring, 2" lift 400 kg extra load constant spring, 2" lift
Shock Absorber	SR004K005	2 units	Big bore gas charged shock

REMARKS:

1. Consisted of CGM00120 & CGM00121, details refer to the specifications
2. Consisted of CGM05120 & CGM05121, details refer to the specifications
3. Consisted of CGM06120 & CGM06121, details refer to the specifications

TOYOTA

HILUX IFS/LEAF SINGLE DUAL AND EXTRA CAB
1988 - 2005

FRONT SUSPENSION

Coil Spring	CGM05202 CGM00205 CGM05205	1 pair 1 pair 1 pair	Up to 40 kg extra load constant spring, Standard lift Up to 60 kg extra load constant spring, 2" lift 70 to 100 kg extra load constant spring, 2" lift
Shock Absorber	SR003K007	2 units	Gas charged Strut
Replacement Bushes	SOK0016 1	2units	Steel-Rubber Bushes
Strut Cap	SP00001	2 units	Replacement Strut top Cap
Strut Spacer	SS00002	2 units	6mm thick for trimming or raising vehicle

REAR SUSPENSION

Leaf Spring	LGM00005 LGM01005	2 units 2 units	6 (4+2) Constant Leaf Spring extra load 300 kgs 7 (5+2) Constant Leaf Spring extra load 500 kgs
Shock Absorber	SR002K037 SR002K019	2 units 2 units	Gas Charged Shock Gas Charged Shock, Use with LGM01005
Bush Kit	BTC028	1 kit	Urethane bush kit
Fixed Pin	FN00007	2 units	14 mm pin
Shackle	SE01007	2 units	Greasable Shackle
U Bolt	UT02005	4 units	Square Headed U Bolts

REMARKS:

1. Applicable to batch 20201001(included) or after

FRONT SUSPENSION

Coil Spring	CGM05202	1 pair	Up to 40 kg extra load constant spring, Standard lift
	CGM00205	1 pair	Up to 60 kg extra load constant spring, 2" lift
	CGM05205	1 pair	70 to 100 kg extra load constant spring, 2" lift
Shock Absorber	SR003K007	2 units	Gas charged Strut
Strut Cap	SP00001	2 units	Replacement Strut top Cap
Strut Spacer	SS00002	2 units	6mm thick for trimming or raising vehicle

REAR SUSPENSION

Leaf Spring	LGM00005	2 units	6 (4+2) Constant Leaf Spring extra load 300 kgs
	LGM01005	2 units	7 (5+2) Constant Leaf Spring extra load 500 kgs
Shock Absorber	SR002K037	2 units	Gas Charged Shock
	SR002K019	2 units	Gas Charged Shock, Use with LGM01005
Replacement Bushes- Lower Mount	SOK0023	1 2units	Rubber Bushes
Bush Kit	BTC028	1 kit	Urethane bush kit
Fixed Pin	FN00007	2 units	14 mm pin
Shackle	SE01007	2 units	Greasable Shackle
U Bolt	UT02005	4 units	Square Headed U Bolts

REMARKS:

1. Applicable to batch 20201001(included) or after

FRONT SUSPENSION

Coil Spring	CGM00205	1 pair	Up to 40 kg extra load constant spring, Standard lift Up to 60 kg extra load constant spring, 2" lift 70 to 100 kg extra load constant spring, 2" lift
	CGM05205	1 pair	
	CGM06205	1 pair	
Shock Absorber	SR003K007	2 units	Gas charged Strut
Replacement Bushes	SOK0016 1	2units	Steel-Rubber Bushes
Strut Cap	SP00001	2 units	Replacement Strut top Cap
Strut Spacer	SS00002	2 units	6mm thick for trimming or raising vehicle

REAR SUSPENSION

Leaf Spring	LGM00006	2 units	6 (4+2) Constant Leaf Spring extra load 250 kgs 7 (5+2) Constant Leaf Spring extra load 400 kgs 8 (6+2) Constant Lead Spring extra load 500 kgs
	LGM01006	2 units	
	LGM03006	2 units	
Shock Absorber	SR002K019	2 units	Gas Charged Shock
Bush Kit	BTC028	1 kit	Urethane bush kit
Fixed Pin	FN00007	2 units	14 mm pin
Shackle	SE01011	2 units	Greasable Shackle
U Bolt	UT02005	4 units	Square Headed U Bolts Square Headed U Bolts use with LGM03006
	UT00005	4 units	

REMARKS:

1. Applicable to batch 20201001(included) or after

TOYOTA

LANDCRUISER II (STATION WAGON)

FRONT SUSPENSION

Coil Spring	CGM00207	1 pair	Up to 60 kg extra load constant spring, 2" lift
Shock Absorber	SR002K080	2 units	Gas charged Strut

REAR SUSPENSION

Coil Spring	CGM00108A 1	1 pair	80 kg extra load constant spring, 2" lift
Shock Absorber	SR002K053	2 units	Gas charged shock

REMARKS:

1. Consisted of CGM00108 & CGM00109, details refer to the specifications

FRONT SUSPENSION

Coil Spring	CGM00202 CGM05202	1 pair 1 pair	Up to 55 kg extra load constant spring, 2" lift 55 kg to 85 kg extra load constant spring, 2" lift
Shock Absorber	SR003K005	2 units	Gas charged Strut
Strut Cap	SP00004	2 units	Replacement Strut top Cap
Strut Spacer	SS00002	2 units	6 mm strut spacer for trimming or raising vehicle

REAR SUSPENSION

Coil Spring	CGM00203A ¹ CGM05203	1 pair 1 pair	100 kg extra load constant spring, 2" lift 250 kg extra load constant spring, 2" lift
Shock Absorber	SR002K049	2 units	Gas charged shock

REMARKS:

1. Consisted of CGM00203 & CGM00204, details refer to the specifications

TOYOTA

LANDCRUISER PRADO 120 SERIES

FRONT SUSPENSION

Coil Spring	CGM00205 CGM05205	1 pair 1 pair	Up to 55 kg extra load constant spring, 2" lift 55 kg to 85 kg extra load constant spring, 2" lift
Shock Absorber	SR003K006	2 units	Gas charged Strut
Strut Cap	SP00001	2 units	Replacement Strut top Cap
Strut Spacer	SS00002	2 units	6 mm strut spacer for trimming or raising vehicle

REAR SUSPENSION

Coil Spring	CGM00206 CGM05206	1 pair 1 pair	100 kg extra load constant spring, 2" lift 250 kg extra load constant spring, 2" lift
Shock Absorber	SR002K050	2 units	Gas charged shock

TOYOTA

LANDCRUISER PRADO 150 SERIES

FRONT SUSPENSION

Coil Spring	CGM05205 CGM06205	1 pair 1 pair	Up to 55 kg extra load constant spring, 2" lift 55 kg to 85 kg extra load constant spring, 2" lift
Shock Absorber	SR003K006	2 units	Gas charged Strut
Strut Cap	SP00001	2 units	Replacement Strut top Cap
Strut Spacer	SS00002	2 units	6 mm strut spacer for trimming or raising vehicle

REAR SUSPENSION

Coil Spring	CGM00206 CGM05206	1 pair 1 pair	100 kg extra load constant spring, 2" lift 250 kg extra load constant spring, 2" lift
Shock Absorber	SR002K050	2 units	Gas charged shock

TOYOTA

FJ CRUISER - 2011 ONWARDS

FRONT SUSPENSION

Coil Spring	CGM00205 CGM05205	1 pair 1 pair	Up to 55 kg extra load constant spring, 2" lift 55 kg to 85 kg extra load constant spring, 2" lift
Shock Absorber	SR003K006	2 units	Gas charged Strut
Strut Cap	SP00001	2 units	Replacement Strut top Cap
Strut Spacer	SS00002	2 units	6 mm strut spacer for trimming or raising vehicle

REAR SUSPENSION

Coil Spring	CGM00206 CGM05206	1 pair 1 pair	100 kg extra load constant spring, 2" lift 250 kg extra load constant spring, 2" lift
Shock Absorber	SR002K050	2 units	Gas charged shock

TOYOTA

FORTUNER - 2015 ONWARDS MODEL

FRONT SUSPENSION

Coil Spring	CGM00205 CGM05205	1 pair 1 pair	Up to 60 kg extra load constant spring, 2" lift 70 kg to 100 kg extra load constant spring, 2" lift
Shock Absorber	SR003K007	2 units	Gas charged Strut
Replacement Bushes	SOK0016 1	2units	Steel-Rubber Bushes
Strut Cap	SP00001	2 units	Replacement Strut top Cap
Strut Spacer	SS00002	2 units	6 mm strut spacer for trimming or raising vehicle

REAR SUSPENSION

Coil Spring	CGM00301 CGM05301	1 pair 1 pair	100 kg extra load progressive spring, 2" lift 250 kg extra load progressive spring, 2" lift
Shock Absorber	SR002K050F	2 units	Gas charged shock

REMARKS:

1. Applicable to batch 20201001(included) or after

FRONT SUSPENSION

Coil Spring	CGN00001	1 pair	Up to 60 kg extra load constant spring, 2" lift (4CYL version)
	CGN05001	1 pair	Up to 100 kg extra load constant spring, 2" lift (4 CYL/V6*)
	CGN06001	1 pair	
			Up to 100 kg extra load constant spring, 2" lift (V6)
Shock Absorber	SR003K026	2 units	Gas charged Strut
Strut Cap	SP00009	2 units	Replacement Strut top Cap

REAR SUSPENSION

Leaf Spring	LGN00001	2 units	6 (4+2) Constant Leaf Spring extra load 250 kgs
Shock Absorber	SR002K042	2 units	Gas Charged Shock
Bush Kit	BTC032	1 kit	Urethane bush kit
U Bolt	UT00001	4 units	Round Top U-bolt

COIL SPRING SPECIFICATIONS

SDK Part Number	SDK Part number (N/S&D/S)	Wire Di- ameter (mm)	Free Length (mm)	
			Passen-	Driver's
CGC00001	CGC00001	18	470	470
CGC05001	CGC05001	18.5	470	470
CGC00003	CGC00003	18	370	370
CGC05003	CGC05003	18.5	375	375
CGE00001	CGE00001	16	445	445
CGE05001	CGE05001	17	445	445
CGG00017	CGG00017	14.5	460	460
CGG00018	CGG00018	15	465	465
CGG00019	CGG00019	14	400	400
CGG00020	CGG00020	14.5	400	400
CGH00001	CGH00001	21	410	410
CGH05001	CGH05001	22	410	410
CGH00004A	CGH00004/005	16	375	385
CGH05004A	CGH05004/005	17	390	400
CGH00006A	CGH00006/007	15	390	410
CGH00010A	CGH00010/011	17	420	430
CGH05010A	CGH05010/011	18	415	425
CGI00001	CGI00001	18	360	360
CGI05001	CGI05001	18.5	365	365
CGI08001	CGI08001	18	340	340
CGJ00001	CGJ00001	18	325	325
CGJA0001	CGJA0001	18	325	325
CGJ05001	CGJ05001	19	320	320
CGJ00002A	CGJ00002/003	17	390	400
CGJ05002A	CGJ05002/003	18	390	400
CGJ00004A	CGJ00004/005	16	390	400
CGJ00006A	CGJ00006/007	21	340	350
CGJ00010A	CGJ00010/011	21	325	335
CGJ00012	CGJ00012	18	320	320
CGJ04012	CGJ04012	18	330	330
CGK00001A	CGK00001/002	16	400	415
CGK00003A	CGK00003/004	17	390	405
CGK05003A	CGK05003/004	18	390	405
CGK10003A	CGK10003/004	18	450	460
CGK00006A	CGK00006/007	19	450	465
CGK00008A	CGK00008/009	21	455	485
CGK09008A	CGK09008/009	21	455	470
CGK00010	CGK00010	14	430	430
CGK05010	CGK05010	14.5	450	450
CGK00013A	CGK00013/014	18	460	470
CGK05013A	CGK05013/014	20	460	470
CGK07013A	CGK07013/014	22	460	470
CGK10013A	CGK10013/014	20	495	510
CGK00018	CGK00018	17	375	375
CGK05018	CGK05018	17	360	360
CGK06018	CGK06018	17	375	375
CGK00019	CGK00019	19	445	445
CGK00020	CGK00020	16	450	450
CGK05020	CGK05020	17	450	450
CGKA5018	CGKA5018	16.5	360	360
CGL00001	CGL00001	15	290	290
CGL00002	CGL00002	16	285	285

SDK Part Number	SDK Part number (N/S&D/S)	Wire Di- ameter (mm)	Free Length (mm)	
			Passen-	Driver's
CGL00003	CGL00003	16	295	295
CGL00005	CGL00005	16	335	335
CGL00006	CGL00006	11.5	350	350
CGL04006	CGL04006	11.5	375	375
CGL10006	CGL10006	11	430	430
CGL00008	CGL00008	11.5	345	345
CGL00009	CGL00009	12.5	335	335
CGL00011	CGL00011	12.5	360	360
CGL00012A	CGL00012/013	12	305	325
CGL04012A	CGL04012/013	12	335	350
CGL10012A	CGL10012/013	12	364	380
CGL00014	CGL00014	16	331	331
CGL00017A	CGL00017/018	10.8	345	355
CGL00019	CGL00019	12	375	375
CGM10102A	CGM10102/103	19	525	515
CGM11102A	CGM11102/103	19	550	540
CGM00104	CGM00104	17	460	460
CGM05104	CGM05104	18	460	460
CGM00105A	CGM00105/106	17	485	475
CGM05015A	CGM05015/106	18	470	460
CGM00107	CGM00107	16	440	440
CGM00108A	CGM00108/109	17	470	460
CGM00110A	CGM00110/111	19	470	460
CGM10113A	CGM10113/114	20	490	480
CGM11113	CGM11113	20	515	505
CGM00115A	CGM00115/116	18	470	460
CGM05114A	CGM05114/115	20	470	460
CGM00117A	CGM00117/118	18	445	455
CGM00119	CGM00119	18	430	430
CGM05119	CGM05119	18.5	425	425
CGM00120A	CGM00120/121	18	430	450
CGM05120A	CGM05120/121	19	430	450
CGM06120A	CGM06120/121	20	430	450
CGM00202	CGM00202	17	350	350
CGM05202	CGM05202	17	365	365
CGM00203A	CGM00203/204	17	380	390
CGM05203	CGM05203	18	380	380
CGM00205	CGM00205	17	375	375
CGMA0205	CGMA0205	17	375	375
CGM05205	CGM05205	18	370	370
CGM06205	CGM06205	18	390	390
CGM00206	CGM00206	17	390	390
CGM05206	CGM05206	18	390	390
CGM00301	CGM00301	16	465	465
CGM05301	CGM05301	16	480	480
CGN00001	CGN00001	18	305	305
CGO00001	CGO00001	17	410	410
CGO00002	CGO00002	16.9	324	324
CGP00001	CGP00001	16.5	393	393
CGP00002	CGP00002	16	387	387
CGH05001	CGH05001	22	410	410
CGJ05012	CGJ05012	19	320	320

COIL SPRING SPECIFICATIONS

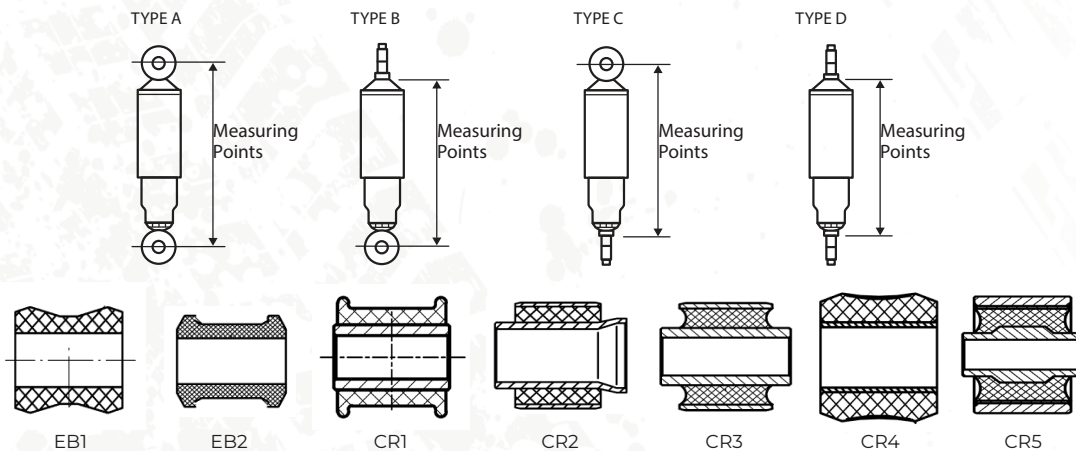
SDK Part Number	SDK Part number (N/S&D/S)	Wire Di- ameter (mm)	Free Length (mm)	
			Passen-	Driver's
CGK00011A	CGK00011/012	17	480	490
CGK11003A	CGK11003/004	18	475	485
CGK11013A	CGK11013/014	20	520	535
CGL00015	CGL00015	15	380	380
CGM00207	CGM00207	Please consult sales team		
CGL00016	CGL00016	17	350	350
CGN05001	CGN05001	18	315	315
CGN06001	CGN06001	18	325	325
CGCA0003	CGCA0003	Please consult sales team		

SHOCK ABSORBER CHART

Part Number	Upper Mount	Lower Mount	Open (mm)	Close (mm)
SR101K003	PIN14 (M12)	PIN14 (M12)	518	318
SR101K004	EB1-19x42	EB1-19x42	669	409
SR002K005	BARPIN	EB1-16x36	565	349
SR002K006	PIN10	BARPIN	560	337
SR002K007	PIN10	CR1-12x32	315	228
SR002K010	PIN12	EB1-16x36	581	351
SR002K011	BARPIN	CR4-12x40	650	393
SR002K013	PIN10	EB1-16x36	457	288
SR002K014	EB1-16x36	EB1-16x36	514	322
SR002K015	PIN10	EB1-16x36	509	314
SR002K016	EB1-16 x 36	EB1-16 x 36	494	312
SR002K017	PIN10	CR3-12x38	505	310
SR002K018	CR3-12x38	CR3-12x38	531	332
SR002K019	EB1-19x42	EB1-19x42	631	384
SR002K020	CR2-20ID & 23.5ID x 43	CR1-12x40	634	387
SR002K023	EB1 - 16 x 36	CR3-14.5x42	597	370
SR002K024	CR1-14x48	CR1-14x48	391	274
SR002K026	PIN10	CR1-12x32	380	249
SR002K029	PIN14 (M12)	PIN14 (M12)	616	376
SR002K030	PIN14 (M12)	PIN14 (M12)	518	317
SR002K031	EB1-19x42	EB1-19x42	667	405
SR002K032	Pin16	EB2-18x44	625	404
SR002K033	Pin16	CR5-14x39	447	300
SR002K036	EB1-16x36	EB1-16x36	522	331
SR002K037	EB1-19x42	EB1-19x42	594	368
SR002K038	EB1-16x36	EB1-16x36	595	363
SR002K047	PIN10	CR1-16x40	486	306
SR002K048	PIN10	CR1-14x48	591	357
SR002K049	PIN10	CR4-19x38	527	333
SR002K050	PIN12	CR3-19x45	592	357
SR002K050F	PIN12	CR3-19x45	592	357
SR002K052	PIN14 (M12)	PIN14 (M12)	572	347
SR002K053	CR3-19x40	PIN14 (M12)	550	338
SR002K056	CR1-12x44	BARPIN	582	376
SR002K057	CR1-12x44	CR1-12x44	582	376
SR002K060	PIN10	CR1-12x32	412	266
SR002K065	PIN10	CR4-14x38	620	370
SR002K068	PIN12	CR3-19x45	562	342
SR002K070	PIN12	CR1-14x62	578	356
SR002K073	PIN10	CR1-12x32	519	314
SR002K074	CR1-12x32	CR1-12x32	550	334
SR002K076	EB1-16x38	CR1-16x38	526	330
SR002K087	EB1-16x36	EB1-16x36	561	344
SR003K001	PIN10	CR5-14.1x50	472	344
SR003K004	PIN17 (M14)	CR3-16.2x39.5	616	436
SR003K005	PIN12	CR5-14.1x40	457	353
SR003K006	PIN12	CR5-14.1x40	542	417
SR003K007	PIN12	CR5-14.1x40	570	420
SR003K008	PIN10	CR5-14x50	431	313
SR003K009	PIN12	CR5-14x42	386	288
SR003K018	PIN14	STRUT MOUNT	578	385
SR003K019	PIN14	STRUT MOUNT	578	385
SR003K021	PIN12	CR5-16x38	507	384
SR003K022	PIN12	CR3-20x50	491	373

SHOCK ABSORBER CHART

Part Number	Upper Mount	Lower Mount	Open (mm)	Close (mm)
SR003K023	PIN12	CR5-14.1x40	499	355
SR003K025	PIN12	CR5-14.1x40	520	365
SR004K001	PIN14 (M12)	PIN14 (M12)	634	377
SR004K002	PIN14 (M 12)	PIN14 (M 12)	534	326
SR004K003	CR3-19x45	CR3-19x45	688	423
SR004K004	PIN14 (M12)	CR3-19x45	635	388
SR004K005	PIN17 (M14)	CR3-19x45	616	411
SR004K011	PIN12	CR1-12x32	387	267
SR004K012	CR1-16x38	CR1-16x38	631	396
SR004K043H	PIN12	CR1-16x38	545	340
SRA02K019	EB1-19x42	EB1-19x42	631	398
SRA02K020	CR2-20ID & 23.5ID x 43	CR1-12x40	634	396
SRA02K038	EB1-16x36	EB1-16x36	595	372
SRA02K048	PIN10	CR3-14x48	592	370
SRA02K050	PIN12	CR3-19x45	592	370
SRA02K076	EB1-16x38	CR1-16x38	526	343
SRA02K078	PIN10	CR1-12x32	440	295
SRA02K079	CR1-12x32	CR1-12x32	514	331
SRA02K082	BARPIN	CR3-19x45	560	362
SRA02K083	PIN14	CR5-14.1x40	564	386
SRA02K084	BARPIN	CR3-19x44	660	411
SRA02K085	PIN12	CR1-12x32	300	219
SRA02K086	CR3-16.1x38	CR3-16.1x38	560	360
SRA03K001	PIN10	CR5-14.1x50	485	345
SRA03K006	PIN12	CR5-14.1x40	555	415
SRA03K007	PIN12	CR5-14.1x40	583	413
SRA03K022	PIN12	CR3-20x50	491	371
SRA03K023	PIN12	CR5-14.1x40	499	355
SRA03K026	PIN12	CR3-14.5x40	566	423
SRA03K027	PIN12	Fork	552	387
SRA03K028	PIN12	CR5-14.1x40	550	421
SR002K080	CR1-16x66	PIN14(M12)	550	338
SR003K002	PIN17	STRUT MOUNT	470	340
SR003K003	PIN17	STRUT MOUNT	465	295
SR002K042	CR4- 12x40	CR4- 12x40	594	368



STEERING DAMPER CHART

Part Number	Type	Upper Mount	Lower Mount	Open (mm)	Closed (mm)
SG00004	D	PIN10	PIN10	528	313
SG00005	B	EB1-16x37	EB1-16x37	655	395
SG00015	A	EB1-16x37	EB1-16x37	662	419
SG00017	A	EB1-16x37	EB1-16x37	535	335

TYPE A



TYPE B



TYPE C



TYPE D



TYPE E



TYPE F



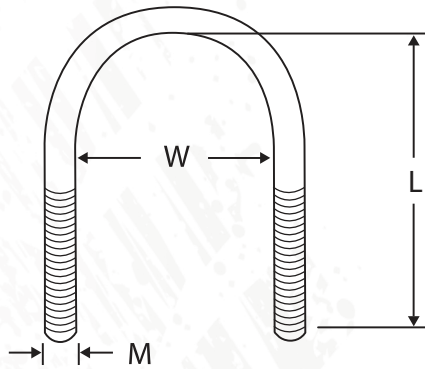
SHACKLE BUSH KITS

SDK Part Number	Details						
BTC003	U674 x 4	U675 x 4	U677 x 4	T141980 x 2		Grease x 1	
BTC004	U424 x 4	U426 x 8					Grease x 1
BTC008	U113 x 12					Grease x 1	
BTC009	U114 x 12					Grease x 1	
BTC010	U675 x 4	U676 x 4	U677 x 4			Grease x 1	
BTC011	U419 x 8	U420 x 4				Grease x 1	
BTC012	U419 x 12					Grease x 1	
BTC016	U728 x 4	U433 x 8	T141869 x 2		Grease x 1		
BTC019	U435 x 4	U434 x 8	T172270 x 2		Grease x 1		
BTC020	U417 x 8	U418 x 4	EBT141886 x 4		Grease x 1		
BTC021	U417 x 8	U418 x 4				Grease x 1	
BTC024	U754 x 4	U753 x 4	U680 x 4	T172270 x 2		Grease x 1	
BTC025	U761 x 4	U762 x 4	U765 x 4	T141980 x 2	T141970 x 4	Grease x 1	
BTC026	U775 x 4	U675 x 4	U677 x 4	T141980 x 2		Grease x 1	
BTC027	U677 x 4	U790 x 4	U791 x 4	T141979 x 2		Grease x 1	
BTC028	U766 x 4	U767 x 4	U768 x 4	T141972 x 2		Grease x 1	
BTC029	U728 x 4	U426 x 4	U427 x 4	T141869 x 2		Grease x 1	
BTC030	U766 x 4	U753 x 4	U680 x 4	T141972 x 2		Grease x 1	
BTC031	U683 x 4	U681 x 4	U682 x 4	T141972 x 2		Grease x 1	
BTC032	U780 x 4	U781 x 4	U782 x 4	T122490 x 2	T122480 x 2	T1222134 x 2	
BTC034	U766 x 4	U433 x 4	U432 x 4	T141972 x 2		Grease x 1	
BTC046	U766 x 2	U433 x 4	U792 x 4	T141972 x 2		Grease x 1	

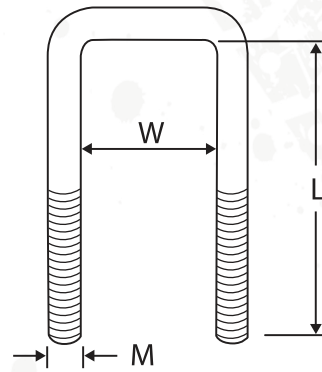
U-BOLT DIMENSIONS

Part Number	Type	Material	Inside Width	Inside
UT00001	A	Ø14	83	210
UT00002	A	Ø14	83	230
UT00005	B	Ø14	62	210
UT00007	B	Ø14	85	230
UT00008	A	Ø12	75	190
UT00011	B	Ø14	72	170
UT00014	A	Ø14	90	200
UT00015	B	Ø12	72	170
UT00016	A	Ø12	81	159.5
UT00017	A	Ø12	71	139.5
UT00020	B	Ø12	62	180
UT01002	A	Ø16	83	230
UT02005	B	Ø14	62	190

TYPE A



TYPE B



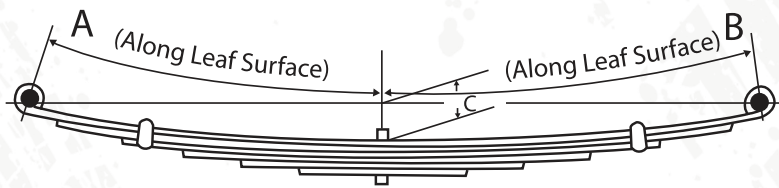
THIS IS A BLANK PAGE

LEAF SPRING SPECIFICATIONS

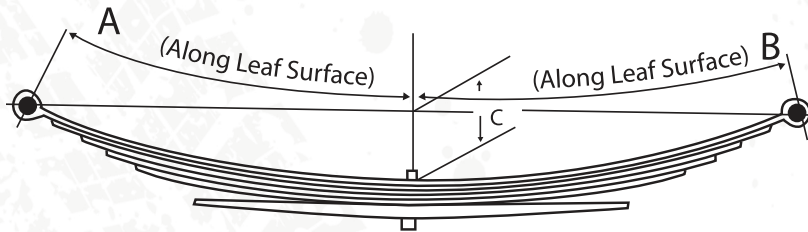
Coil Spring	Type	No. of Leaves	Material		Main Leaf Dim.		Spring Camber (mm)
			Primary Pack	Secondary Pack	A (mm)	B (mm)	
LGE00002	B	4+2	60x8	60x13	600	600	165
LGE01002	B	5+2	60x8	60x13	600	600	165
LGE00003	B	4+2	60x8	60x13	610	750	165
LGE01003	B	5+2	60x8	60x13	610	750	165
LGF00001	B	(2+1)+1	60X10&8	60x18	610	750	150
LGG00001	A	5	65x8	n/a	585	725	185
LGG00002	A	5	65x8	n/a	585	725	170
LGI00001	B	5+2	60X7	60X11	530	675	125
LGI01001	B	6+2	60X7	60X11	530	675	125
LGI00002	B	4+2	60x8	60x12	585	740	115
LGI01002	B	5+2	60x8	60x12	585	740	115
LGI00003	B	(1+3)+2	60X10&8	60x13	585	745	120
LGI01003	B	(1+4)+2	60X10&8	60x13	585	745	120
LGJ00001	B	4+1	70x7	70x13	520	685	145
LGJ00002	B	4+1	70x7	70x13	520	685	165
LGJ00003	B	4+1	70x7	70x13	520	685	165
LGJ00004	B	5+2	70x7	70x11	520	685	120
LGJ01004	B	6+2	70x7	70x11	520	685	120
LGJ00005	B	5+2	60x8	60x13	550	775	120
LGJ01005	B	6+2	60x8	60x13	550	775	120
L GK00001	A	7	60x8	n/a	610	830	225
L GK00002	A	7	60x8	n/a	610	830	265
L GK00003	A	7	60x7	n/a	550	550	170
L GK00005	A	7	70x7	n/a	550	550	150
L GK00006	B	7+2	70x7	70x13	590	830	170
L GK00007	B	7+2	70x7	70x13	590	830	180
L GK00008	B	3+2	60x8	60x12	565	635	130
L GK00009	B	4+2	60x8	60x12	665	735	160
L GK01009	B	5+2	60x8	60x12	665	735	160
L GK00011	B	4+2	60x8	60x12	665	600	190
LGL00001	A	4	50x7	n/a	470	470	105
LGL00002	B	3+2	50x7	50x7	505	505	135
LGL00003	A	4	50x7	n/a	475	475	125
LGL00004	B	4+1	50x7	50x10	505	535	155
LGM00005	B	4+2	60x8	60x13	610	690	145
LGM01005	B	5+2	60x8	60x13	610	690	145
LGM00006	B	4+2	60x8	60x13	700	690	160
LGM01006	B	5+2	60x8	60x13	700	690	160
LGM03006	B	6+2	60x8	60x13	700	690	130

LEAF SPRING SPECIFICATIONS

Coil Spring	Type	No. of Leaves	Material		Main Leaf Dim.		Spring Camber (mm)
			Primary Pack	Secondary Pack	A (mm)	B (mm)	
LGM00101	A	8	70x7	n/a	500	605	152
LGM00102	A	7	70x7	n/a	500	630	200
LGM00103	B	7+3	70x7	70x11	660	660	230
LGM00104	A	8	70x7	n/a	500	605	155
LGM04104	A	7	70x7	n/a	500	630	200
LGM00105	B	7+3	70x7	70x11	655	675	230
LGM00106	A	6	70x7	n/a	550	550	190
LGM00107	B	6+1	70x7	70x13	565	645	205
LGM00108	B	6+1	70x7	70x13	565	645	220
LGM00114	B	7+2	70x7	70x13	690	810	235
LGM01114	B	(2+6)+2	70x10&7	70x13	690	810	230
LGM00115	B	8+2	70x7	70x13	690	810	235
LGM00116	B	9+2	70x7	70x13	690 <td 810	235	
LGM00117	B	(2+2)+2	70x10&7	70x13	600	790	210
LGM01117	B	(2+3)+2	70x10&7	70x13	690	790	210
LGN00001	B	(1+3)+2	70x10&8	70x13	745	745	180



TYPE A
(Single Stage Spring)



TYPE B
(Two Stage Spring)

SUSPENSION INSTALLATION FORM

Date:

Customer Details

Contact Name Telephone

Address

Suburb / Town Postcode State

Vehicle Model Month / Year Built Speedo

Rego No Chassis No Rated GVM

Distributor Name

Address

Suburb / Town Postcode State

Telephone Facsimile

Contact Person.....

New Steering Damper Fitted Poly Bushes Fitted—Front Poly Bushes Fitted—Rear

New U-Bolts Fitted Front Rear

Free height / camber of springs to be fitted

DSF DSR..... NSF NSR.....

Place an "X" in the appropriate box to show if accessories are fitted and the position of the accessories

Bull Bar: Alloy Steel Winch Side Bars Power Steering Air Conditioning

Driver Side Front

Shock Part No:
Spring Part No:

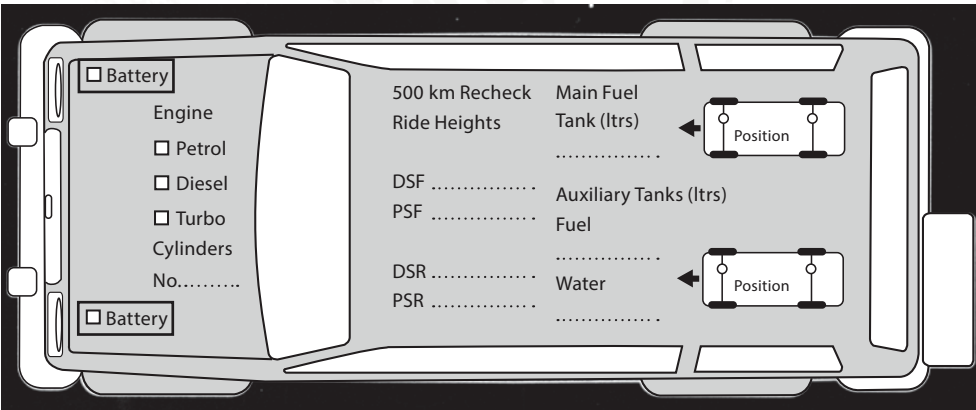
Ride Height Before:
Ride Height After:

Driver Side Rear

Shock Part No:
Spring Part No:

Ride Height Before:
Ride Height After:

Rim Size
 15 inch
 16 inch
 Other



Polyair Bags
 Canopy if Ute
 Towbar
 Roof Rack
 Alloy
 Steel
 Tyre Carrier
 Position
 D/S
 CTR
 P/S

Near Side Front

Shock Part No:
Spring Part No:

Ride Height Before:
Ride Height After:

Near Side Rear

Shock Part No:
Spring Part No:

Ride Height Before:
Ride Height After:

Torsion Bars Front
<input type="checkbox"/> Original Equipment
<input type="checkbox"/> After Market

Sway Bar Front
<input type="checkbox"/> Original Equipment
<input type="checkbox"/> After Market

Sway Bar Front
<input type="checkbox"/> Original Equipment
<input type="checkbox"/> After Market

New Spring/Shackles
<input type="checkbox"/> Standard
<input type="checkbox"/> Greasable

WARRANTY ASSESSMENT FORM

Date:

Distributor / Reseller Details

Company Telephone

Contact Name Facsimile

Address

Suburb / Town Postcode State

Warranty Details

Part Number Batch Code

Vehicle Model Year

Fitted / Sold Date Failure Date KMs since fitted

Installed by

Invoice No Invoice date Installation Form No

Accessories fitted to Vehicle e.g. Bullbar, winch, etc.....

Vehicle Owner Details

Name

Address

Suburb / Town Postcode State

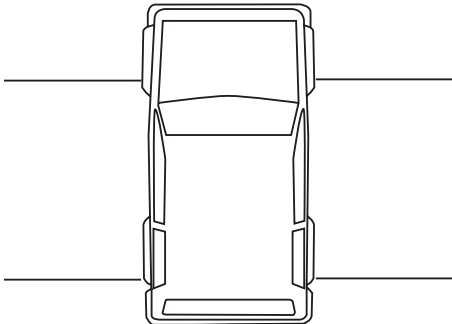
Reason for goods being returned		Please tick the appropriate defect		
<input type="checkbox"/> Noise	<input type="checkbox"/> Oil Leak	<input type="checkbox"/> Control	<input type="checkbox"/> Broken/Worn	<input type="checkbox"/> Broken Coil/Leaf
<input type="checkbox"/> Rattle	<input type="checkbox"/> Seal-Top	<input type="checkbox"/> Stiff/Hard	<input type="checkbox"/> Top Mount Broken	<input type="checkbox"/> Coil
<input type="checkbox"/> Knock/Thump	<input type="checkbox"/> Top Seam Weld	<input type="checkbox"/> Seized	<input type="checkbox"/> Bottom Mount Broken	<input type="checkbox"/> Leaf - Main Wrap
<input type="checkbox"/> Swish	<input type="checkbox"/> Bottom Seam Weld	<input type="checkbox"/> Binding	<input type="checkbox"/> Top Rubber Worn	<input type="checkbox"/> Fold Over
<input type="checkbox"/> Squeak	<input type="checkbox"/> Arc Weld	<input type="checkbox"/> Weak	<input type="checkbox"/> Bottom Rubber Worn	<input type="checkbox"/> Bolt Clip
	<input type="checkbox"/> Split Tube	<input type="checkbox"/> No Gas Pressure	<input type="checkbox"/> Loose Shroud	

Vehicle Heights Heights must be taken on a flat level surface.

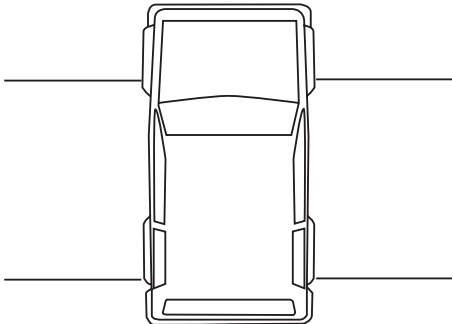
Leaf Springs —Measure from top of spring to underside of chassis. Coil Springs —Measure the height of the coil in the vehicle.

Please mark the location of the defective part/s on the drawing below with an "X" and mark parts with location.

Before



After



Office Use Only

Date rec'd Rec'd by..... Claim Accepted / Denied Approval No.

Comments

.....



GLOBAL PROCUREMENT CENTER

47 Floor -Suite 38
Hong Kong New World Tower
300 HuaiHai Middle Road, Shanghai, China
200021
Tel +86 21 5116 2821
Fax +86 21 5116 7116
Email : contact@sandkat4wd.com

EUROPEAN WAREHOUSE & SALES OFFICE

Mas Neuf
Avenue de l'Agau
34970 Lattes, France
Tel +33 6 13 93 31 11
Email : contact@sandkat4wd.com

CHINA WAREHOUSE & FACTORY

10 Shengdi Road
Yuhang District, Hangzhou, China
311121
Tel +86 571 8791 5129

SALES OFFICE AND WAREHOUSE IN MALAYSIA

Sandkat Sdn. Bhd.
5, Jalan Sungai Pelubang 32/149
Seksyen 32, Shah Alam, Selangor,
Kuala Lumpur, Malaysia

SALES OFFICE IN THAILAND

Sandkat (Thailand) Co Ltd
Level 20, T-One Building 8 Sukhumvit, 40 Alley
Khet Khlong Toei, Phra Khanong, Bangkok
Thailand

AUSTRALIAN ENGINEERING, SALES & WAREHOUSE

West Coast Suspension / Jenkins Springs
188 Railway Parade
Bassendean WA 6054

WWW.SANDKAT4WD.COM